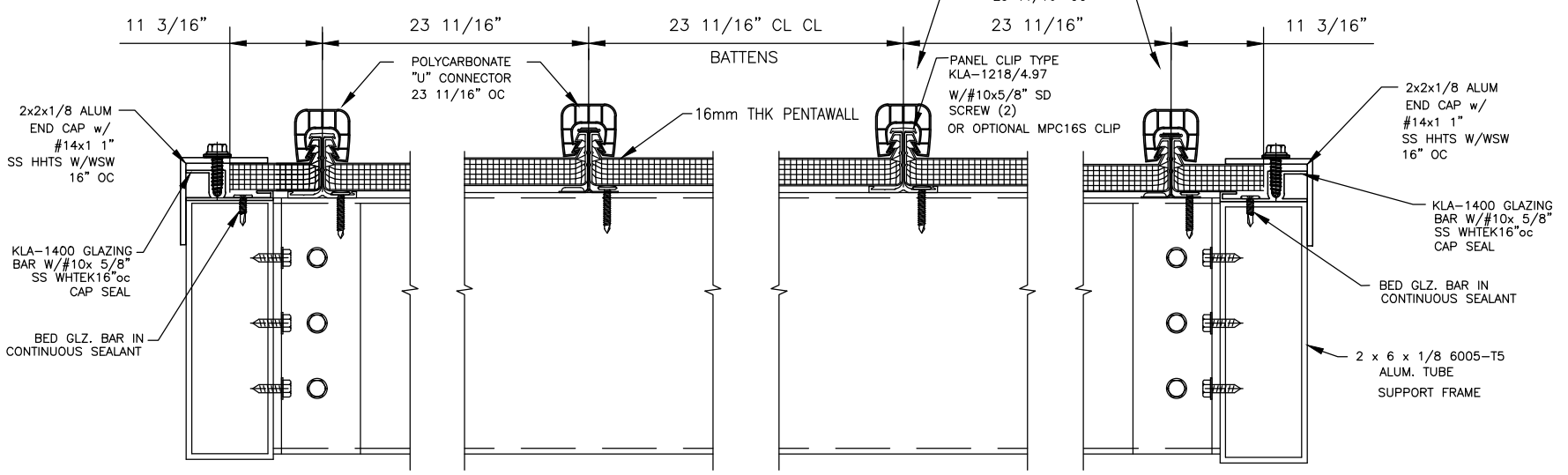
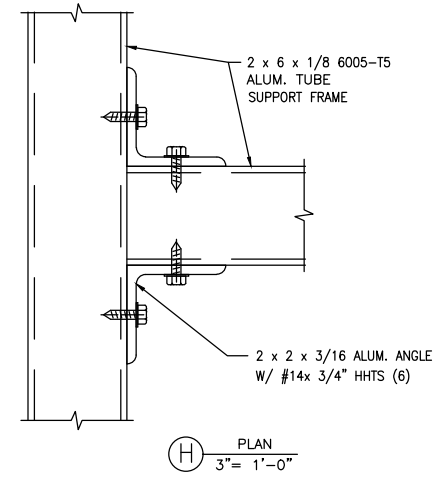


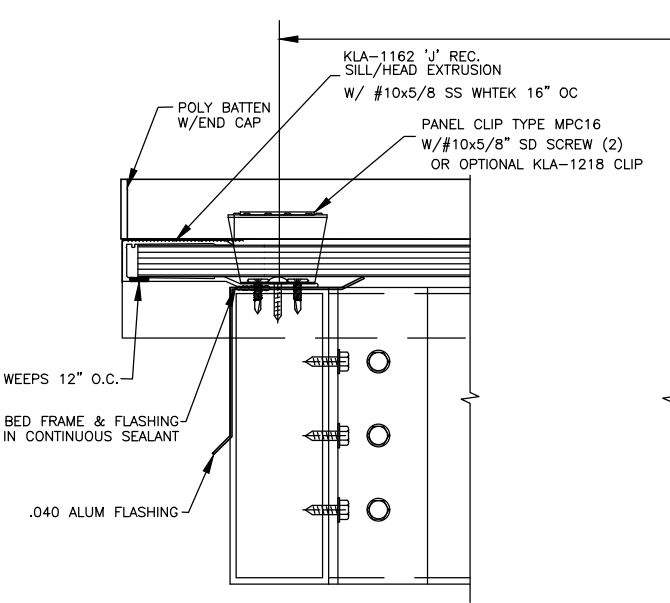
ROOF PLAN  
KLA PENTACLAD SKIN SYSTEM  
not to scale



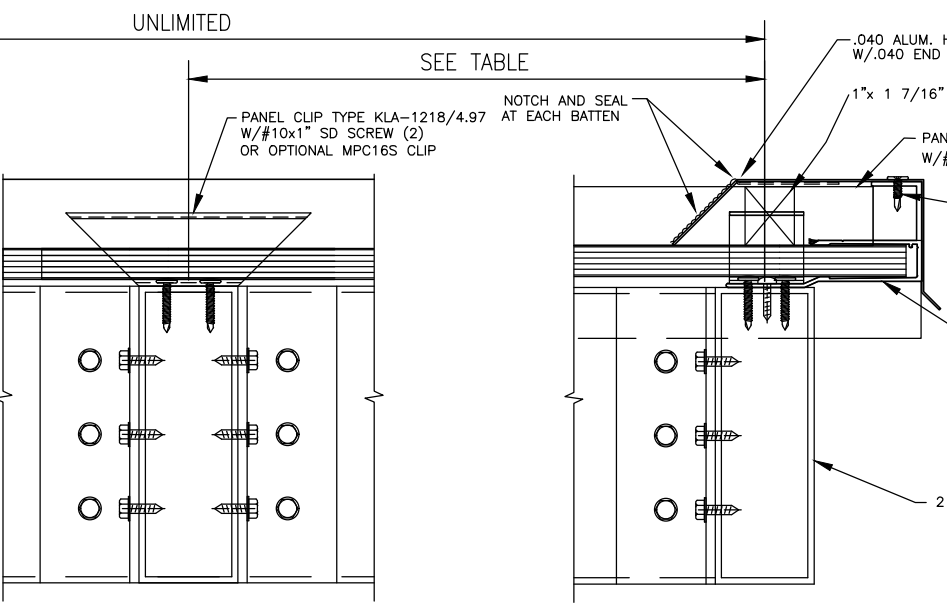
SECTION D  
3\"/>



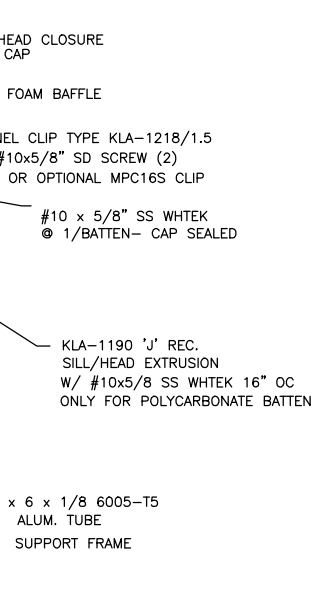
PLAN H  
3\"/>



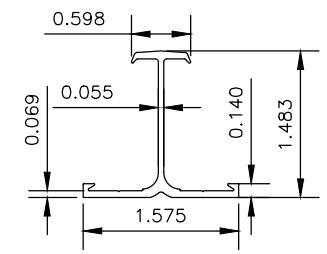
SECTION A  
3\"/>



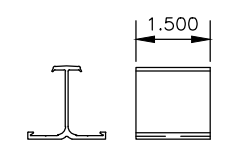
SECTION B  
3\"/>



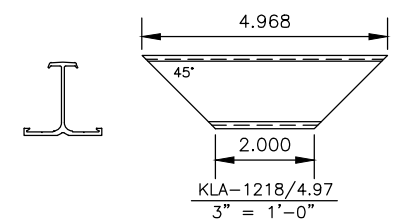
SECTION C  
3\"/>



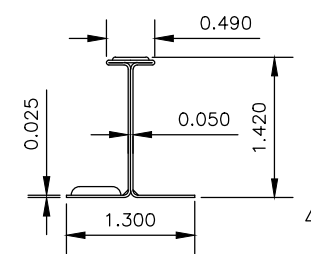
KLA-1218 PANEL CLIP  
6005-T5 ALLOY & TEMPER  
\*MAX. DESIGN PRESSURE = SEE TABLE



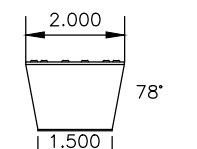
KLA-1218/1.5  
3\"/>



KLA-1218/4.97  
3\"/>



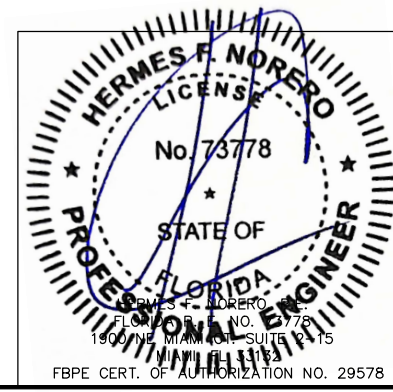
KLA-MPC16S PANEL CLIP  
STAINLESS STEEL  
\*MAX. DESIGN PRESSURE = SEE TABLE



KLA-MPC16S  
3\"/>

DESIGN LOAD (PSF) WITH 2X SAFETY FACTOR	CONNECTOR MATERIAL	PURLIN SPACING	DEFLECTION FOR \"H\" BATTEN	GLAZING THICKNESS
40 PSF	POLYCARBONATE	3'6\"/>		
45 PSF	POLYCARBONATE	3'0\"/>		
70 PSF	POLYCARBONATE	2'0\"/>		

• THE STRUCTURAL ADEQUACY OF THE SUPPORTING SUB STRUCTURE IS NOT PART OF THIS APPROVAL AND IT SHALL BE REVIEWED BY THE AUTHORITY HAVING JURISDICTION  
• MAX. DESIGN PRESURE APPLIES TO ASSEMBLIES SUCH THAT PURLIN AND BATTEN SPACING ARE NOT EXCEEDED AS SHOWN HEREIN



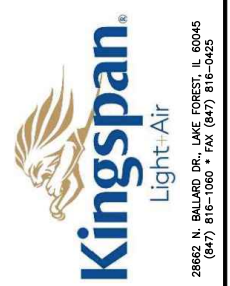
DATE	DESCRIPTION	REV.

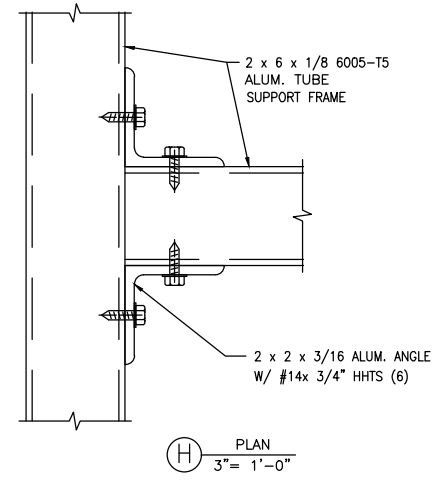
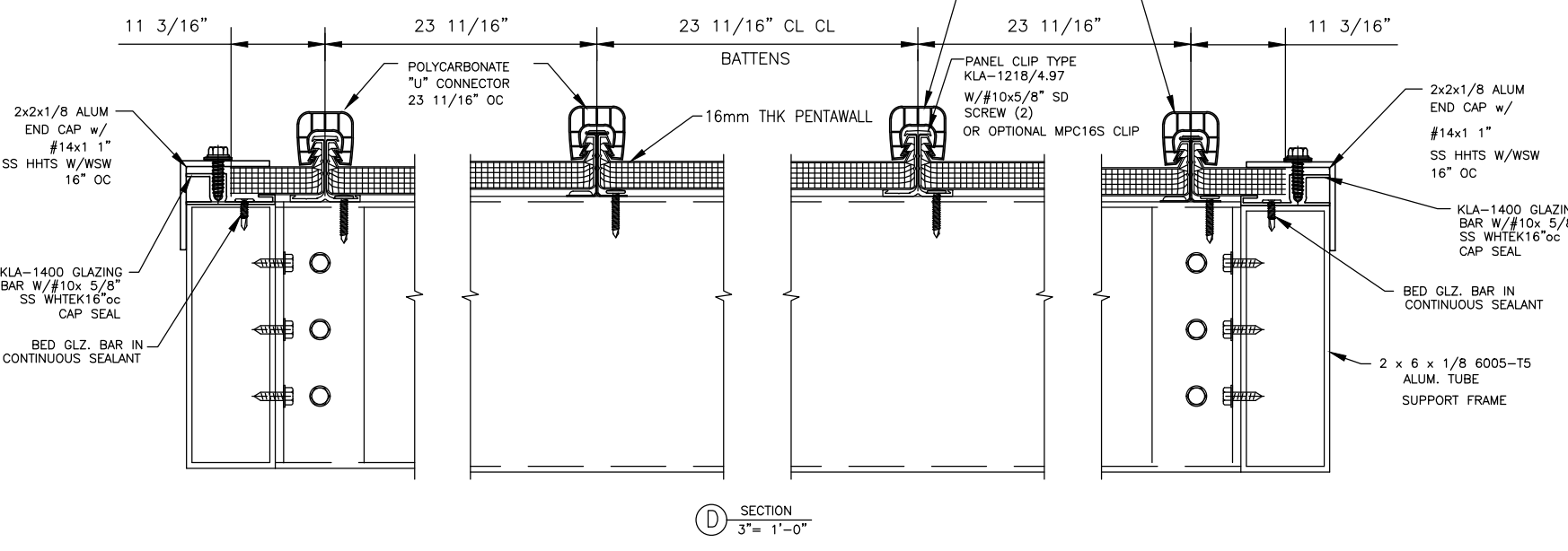
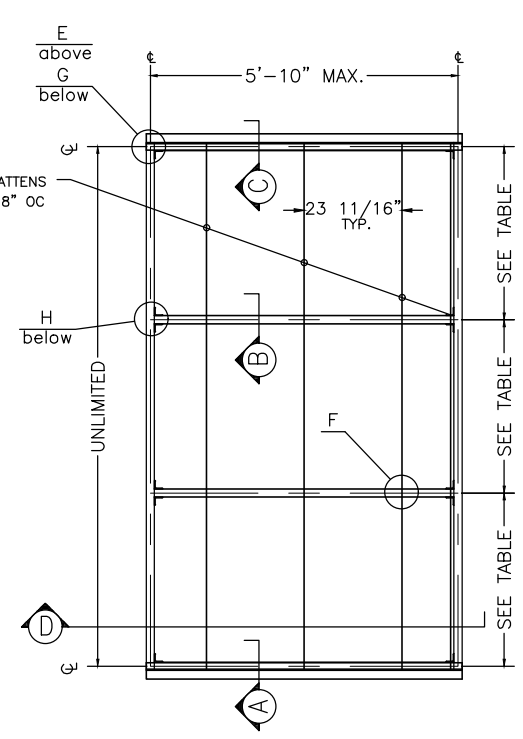
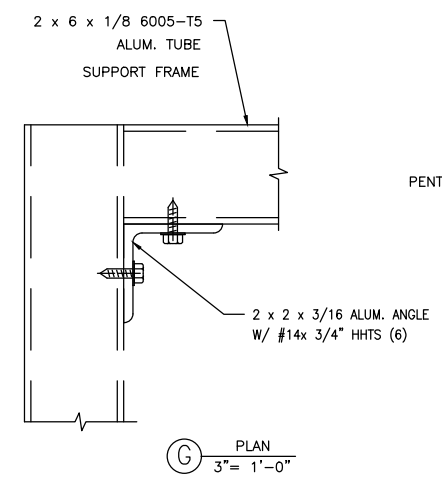
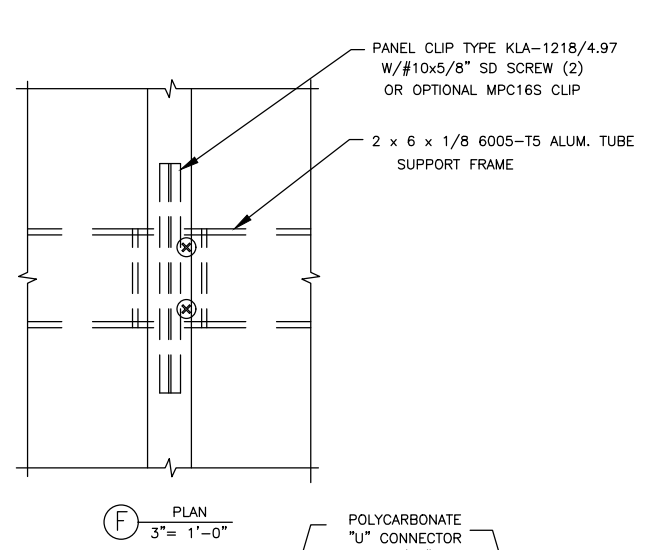
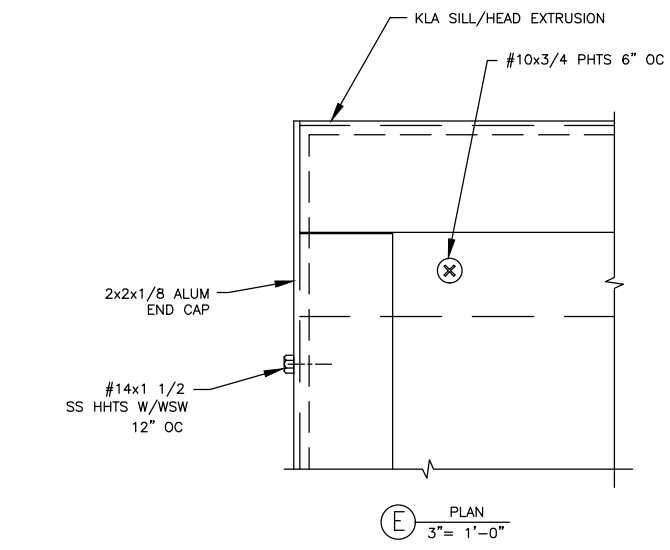
  

PROJECT:	PENTACLAD CLADDING SYSTEM
SAMPLE FOR TESTING PER	TAS 202-94, TAS 203-94
ARCHITECT:	
ERECTOR:	

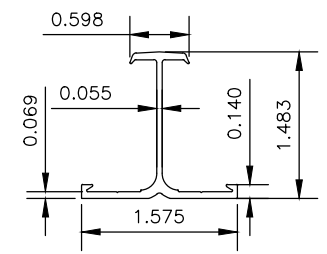
  

DRAWING NO.	KLA012	REV.	
DRAWN BY	MG	DATE	10/19/23
CHECKED BY		DATE	
REFERENCE NO.		SHEET NO.	1 OF 4

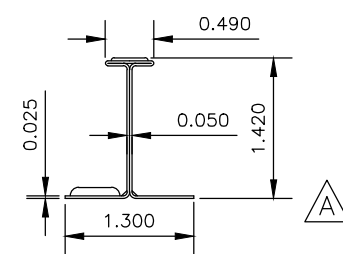




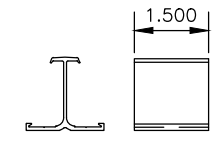
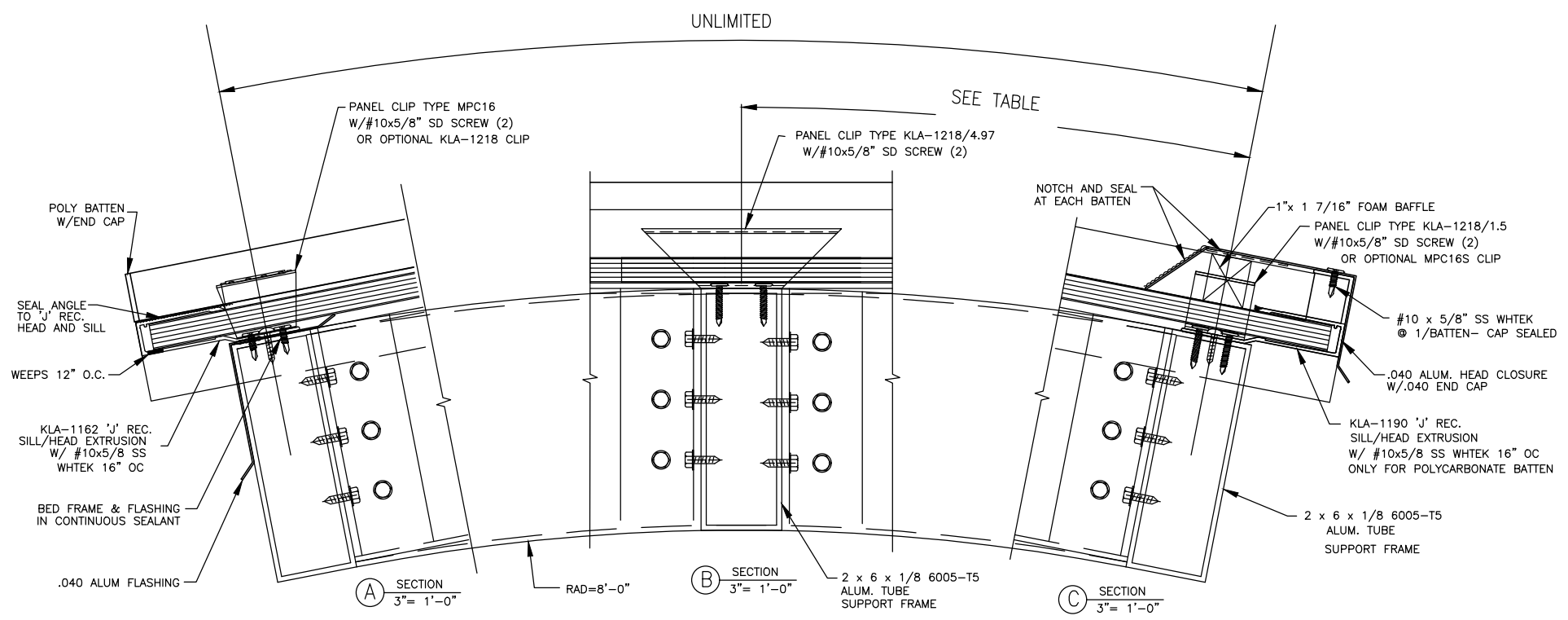
VAULT PLAN  
KLA PENTACLAD SKIN SYSTEM  
not to scale



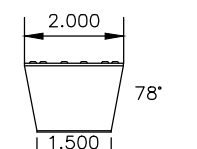
KLA-1218 PANEL CLIP  
6005-T5 ALLOY & TEMPER  
\*MAX. DESIGN PRESSURE = SEE TABLE



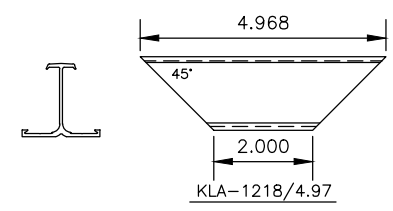
KLA-MPC16S PANEL CLIP  
STAINLESS STEEL  
\*MAX. DESIGN PRESSURE = SEE TABLE



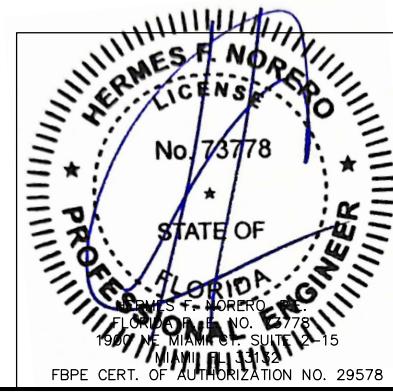
KLA-1218/1.5  
3\"/>



KLA-MPC16S  
3\"/>



KLA-1218/4.97



DATE

DESCRIPTION

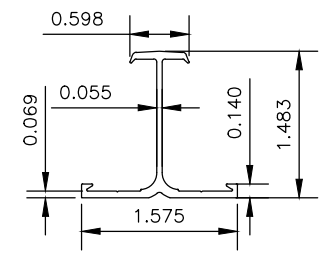
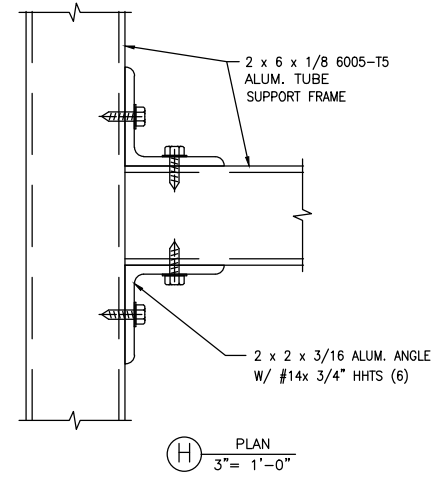
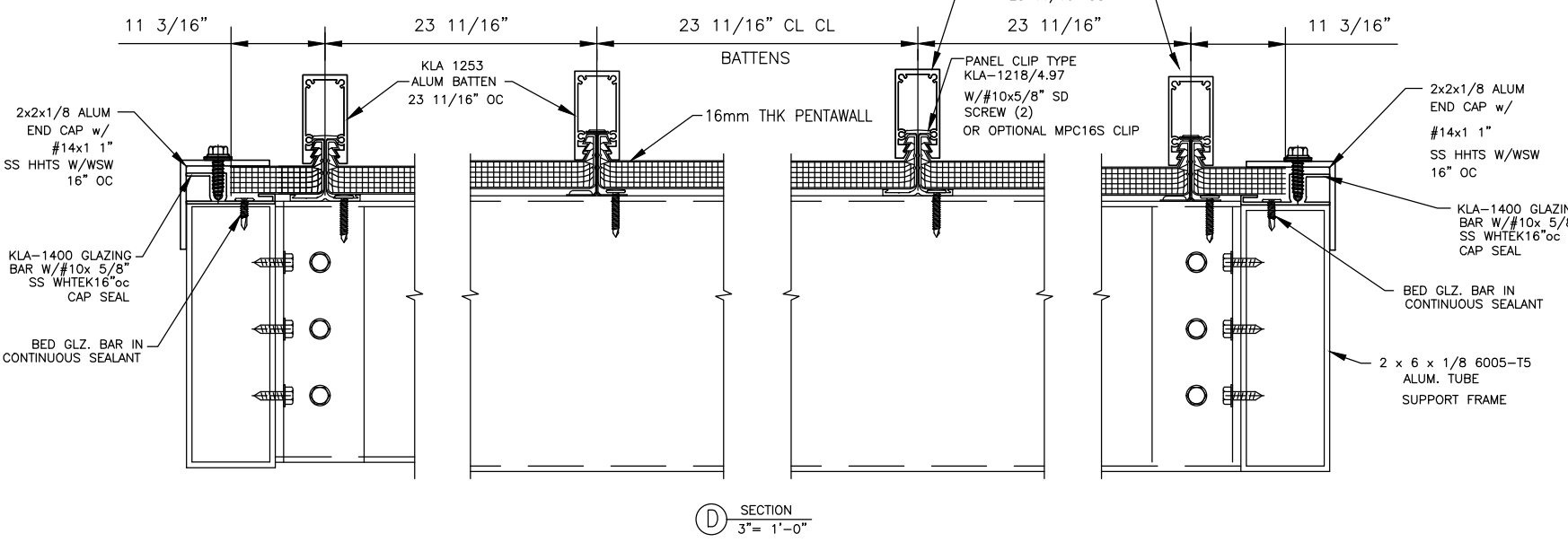
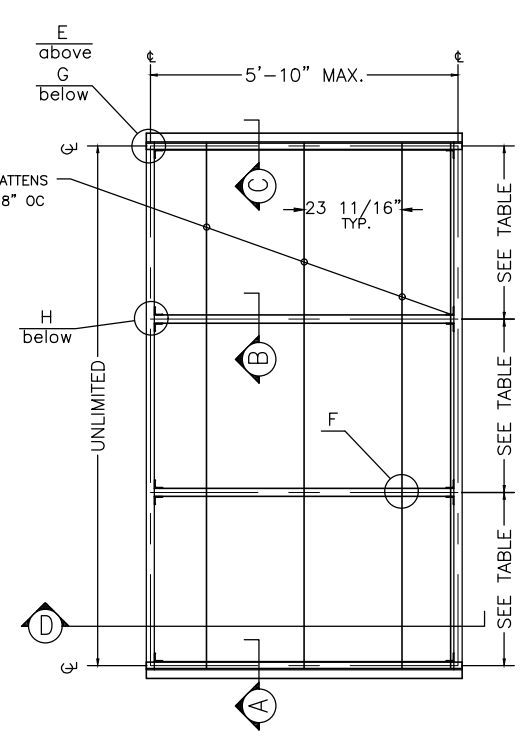
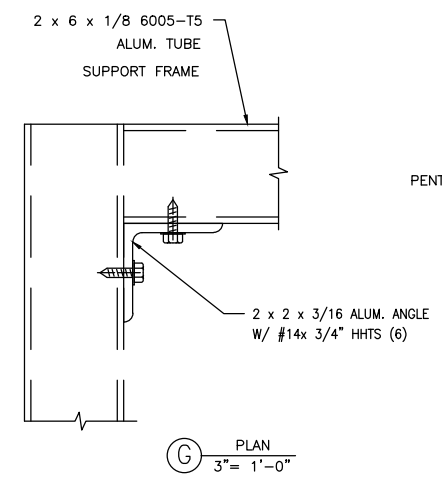
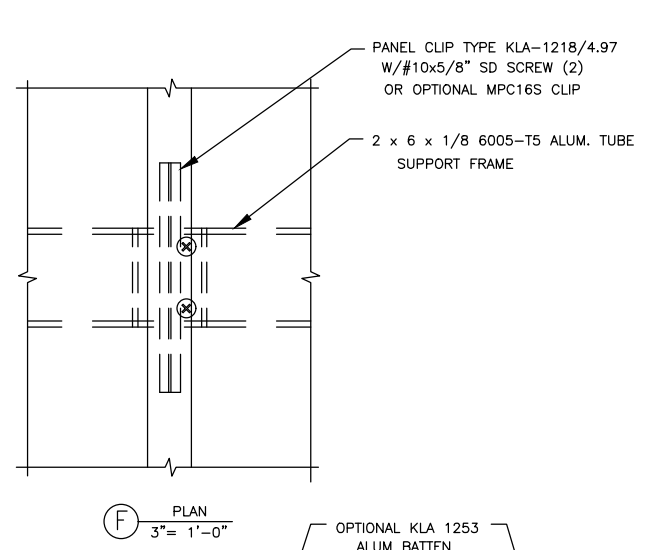
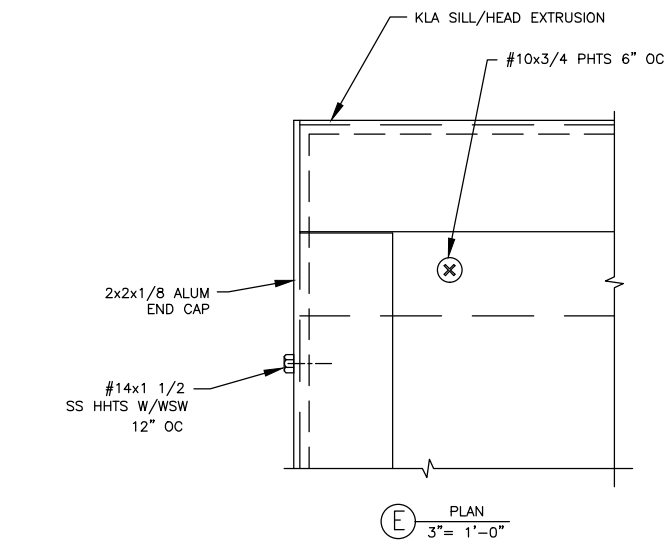
REV.

PROJECT:	ARCHITECT:	ERECTOR:
PENTACLAD CLADDING SYSTEM	TAS 202-94, TAS 203-94	
SAMPLE FOR TESTING PER		
DRAWING NO.	REV.	
KLA012	-	
DRAWN BY	MG	
DATE	10/19/23	
CHECKED BY		
DATE		
REFERENCE NO.		
SHEET NO.		
		2 OF 4

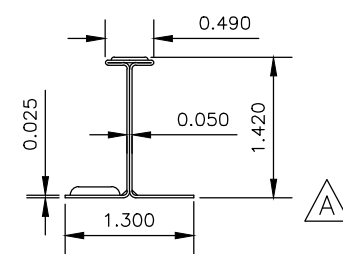




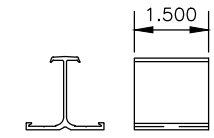
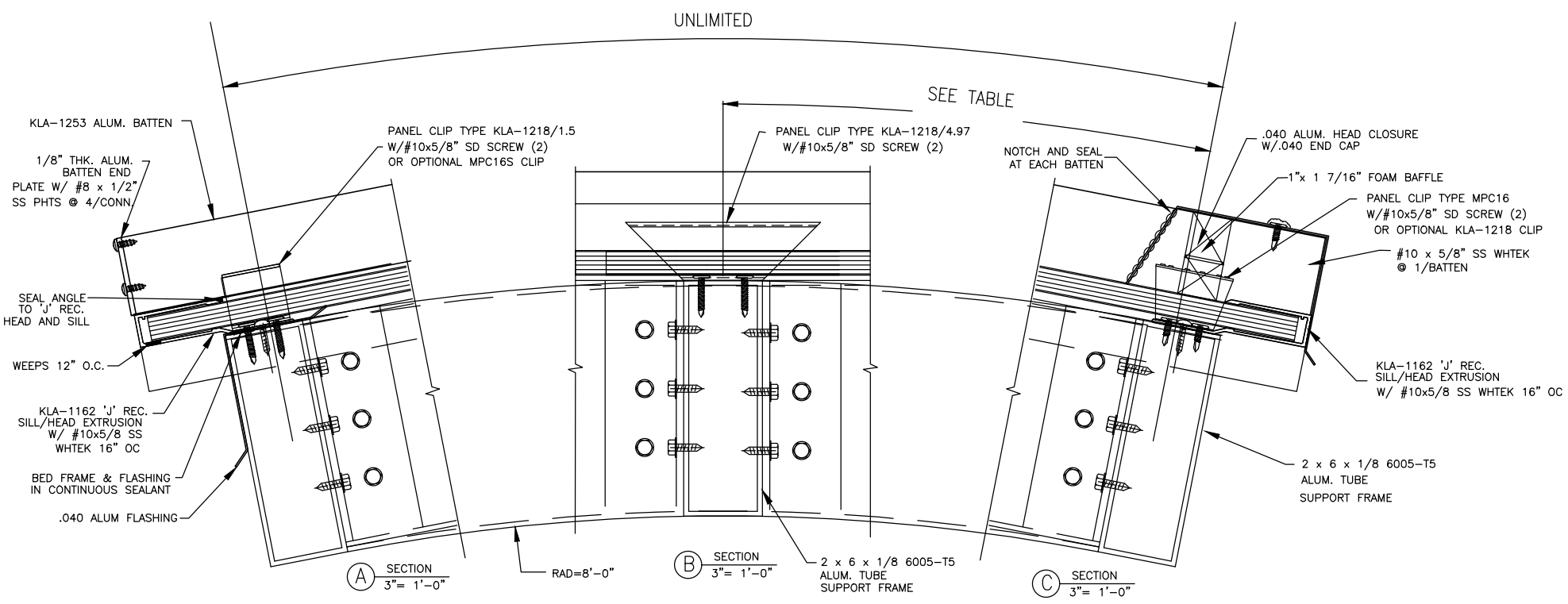




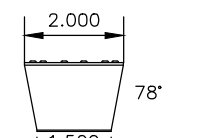
**KLA-1218 PANEL CLIP**  
6005-T5 ALLOY & TEMPER  
\*MAX. DESIGN PRESSURE = SEE TABLE



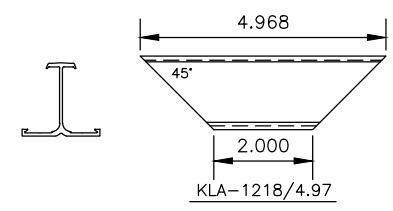
**KLA-MPC16S PANEL CLIP**  
STAINLESS STEEL  
\*MAX. DESIGN PRESSURE = SEE TABLE



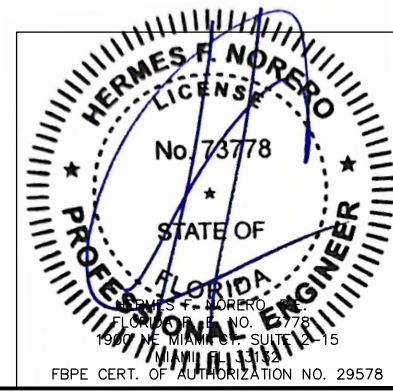
**KLA-1218/1.5**  
3" = 1'-0"



**KLA-MPC16S**  
3" = 1'-0"



**KLA-1218/4.97**



REV.	DESCRIPTION	DATE

**Kingspan**  
Light-Air  
28662 N. BALLARD DR. LAKE FOREST, IL 60045  
(847) 816-1060 • FAX (847) 816-0425

PROJECT:	PENTACLAD CLADDING SYSTEM
SAMPLE FOR TESTING PER	TAS 202-94, TAS 203-94
ARCHITECT:	
ERECTOR:	

DRAWING NO.	KLA012	REV.	-
DRAWN BY	MG	DATE	10/19/23
CHECKED BY		DATE	
REFERENCE NO.		SHEET NO.	4 OF 4